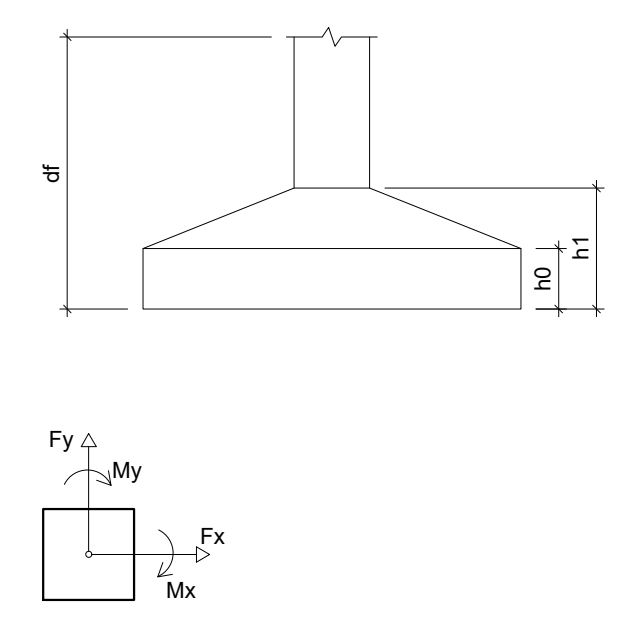


01 PLANTA DE LOCAÇÃO DA FUNDAÇÃO  
 Esc. : 1 / 50

Nome	Seção (cm)	X (cm)	Y (cm)	Pilar				Fundação						
				Carga Max. (tf)	Carga Min. (tf)	Mx (kgf.m)	My (kgf.m)	Fx (tf)	Fy (tf)	Lado B (cm)	Lado H (cm)	H0/Ha (cm)	h1/h0 (cm)	d (cm)
P1	15x35	357.50	2275.45	7.6	7.1	200	300	0.5	0.3	105	125	20	30	150
P2	15x35	772.41	2275.45	11.0	10.5	200	200	0.2	0.2	120	140	20	35	150
P3	15x35	1170.00	2275.45	7.2	6.6	200	200	0.3	0.2	100	120	20	30	150
P4	20x20	1340.00	2282.95	4.9	4.2	100	100	0.1	0.1	90	90	25	25	150
P5	15x35	357.50	2047.95	11.9	11.5	400	200	0.1	0.6	130	150	20	40	150
P6	15x35	772.50	2047.95	11.2	10.3	500	100	0.2	1.0	130	150	20	40	150
P7	15x35	927.50	2052.95	3.2	2.9	100	400	0.3	0.1	80	95	25	25	150
P8	15x35	1170.20	2052.95	4.9	4.4	100	300	0.3	0.2	90	110	25	25	150
P9	15x35	1342.50	2042.95	4.6	3.3	100	200	0.2	0.1	80	95	25	25	150
P10	15x35	937.50	1915.45	4.4	3.1	100	400	0.4	0.1	90	110	25	25	150
P11	15x35	1144.29	1915.45	4.1	3.7	100	400	0.4	0.1	90	110	25	25	150
P12	15x35	1332.50	1915.47	5.3	4.2	100	400	0.4	0.1	90	110	25	25	150
P13	15x35	937.71	1760.51	6.4	5.0	100	300	0.3	0.1	100	120	20	30	150
P14	15x35	1144.29	1760.45	4.6	4.2	100	500	0.5	0.1	90	110	25	25	150
P15	15x35	1332.52	1760.43	6.1	4.6	100	400	0.3	0.1	100	120	20	30	150
P16	15x35	937.71	1572.95	6.1	5.4	100	600	0.8	0.1	100	120	20	30	150
P17	15x35	1332.50	1572.95	7.1	6.3	100	600	0.7	0.1	115	135	20	35	150
P18	15x35	357.63	1460.45	15.3	14.6	500	300	0.6	0.9	150	170	20	45	150
P19	15x35	772.50	1460.45	13.3	12.9	400	400	0.7	0.7	140	155	20	45	150
P20	15x35	927.50	1375.45	6.8	5.7	300	200	0.2	0.5	100	120	20	30	150
P21	15x35	1141.00	1385.45	10.1	9.1	200	300	0.3	0.3	120	140	20	35	150
P22	15x35	1342.50	1375.45	15.8	13.9	200	200	0.2	0.2	150	170	20	45	150
P23	15x35	357.50	1170.70	5.0	3.5	300	200	0.2	0.4	90	110	25	25	150
P24	15x35	558.45	1180.70	4.2	3.3	100	500	0.4	0.1	90	110	25	25	150
P25	15x35	357.50	1039.46	8.2	7.5	300	100	0.2	0.5	105	125	20	30	150
P26	15x35	558.45	1043.20	6.0	5.4	200	200	0.2	0.1	90	110	25	25	150
P27	15x35	772.50	1038.59	8.7	8.1	200	200	0.2	0.2	115	135	20	35	150
P28	15x35	1141.00	1065.45	9.9	8.7	100	400	0.3	0.2	115	135	20	35	150
P29	15x35	1342.50	1050.00	11.9	10.4	100	200	0.3	0.1	140	130	20	45	150
P30	15x35	927.50	957.95	7.9	6.8	300	200	0.2	0.4	105	125	20	30	150
P31	15x35	1141.00	950.45	7.8	6.7	100	400	0.3	0.1	105	125	20	30	150
P32	15x35	1342.50	957.95	13.1	11.5	300	200	0.2	0.4	150	140	20	45	150
P33	15x35	357.50	860.45	11.6	11.1	300	400	0.6	0.3	130	150	20	40	150
P34	15x35	772.41	860.53	10.1	8.8	300	400	0.6	0.6	130	150	20	40	150
P35	15x35	927.89	870.09	4.0	3.2	100	100	0.1	0.2	70	90	25	25	150
P36	15x35	1042.50	885.85	5.6	4.7	100	500	0.6	0.1	100	120	20	30	150
P37	15x35	1342.50	892.95	9.5	8.6	200	300	0.4	0.3	115	135	20	35	150
P38	15x35	927.50	465.45	7.1	6.2	200	100	0.2	0.2	100	120	20	30	150
P39	15x35	357.50	354.48	9.3	8.1	100	100	0.1	0.1	110	125	20	35	150
P40	15x35	1050.00	390.45	4.1	3.5	100	500	0.5	0.2	90	110	25	25	150
P41	15x35	1342.50	380.45	6.9	5.9	200	300	0.4	0.2	100	120	20	30	150
P42	15x35	927.50	191.57	8.3	7.7	200	100	0.1	0.2	100	120	20	30	150
P43	15x35	1050.00	220.45	4.7	3.8	100	500	0.5	0.2	100	120	20	30	150
P44	15x35	1342.50	210.45	6.2	5.3	200	300	0.4	0.2	100	120	20	30	150
P45	15x35	357.50	35.45	8.8	8.5	200	600	1.0	0.2	120	140	20	35	150
P46	15x35	927.87	35.45	10.2	9.4	200	400	0.5	0.2	120	140	20	35	150
P47	15x35	1342.50	35.45	5.5	4.8	200	400	0.6	0.1	100	120	20	30	150

Coordenadas (cm)	Localização no eixo X		Localização no eixo Y	
	Nome	Nome	Nome	Nome
357.50	P1, P5, P23, P25, P33, P39, P45	2275.45	P4	2282.95
357.63	P18	2042.95	P1, P2, P3	2275.45
558.45	P24	1915.45	P7, P8	2052.95
558.45	P26	1760.43	P5, P6	2047.95
772.41	P4	1572.95	P9	2042.95
772.50	P2, P6, P19, P27	1572.95	P10	1915.45
927.50	P20, P30, P38, P42	1572.95	P11	1915.46
927.87	P46	1572.95	P12	1915.47
927.89	P35	1572.95	P13	1760.51
937.50	P10	1572.95	P14	1760.46
937.71	P13, P16	1572.95	P15	1760.43
938.56	P7	1572.95	P16	1572.95
1042.50	P36	1572.95	P17	1572.96
1042.50	P40, P43	1572.95	P18	1460.45
1050.00	P40, P43	1572.95	P19	1460.45
1141.00	P21, P28, P31	1572.95	P20, P22	1385.45
1144.29	P11, P14	1572.95	P21	1375.45
1170.00	P3	1572.95	P22	1180.70
1170.70	P8	1572.95	P23	1170.70
1332.50	P12, P17	1572.95	P24	1095.45
1332.52	P16	1572.95	P25	1095.00
1340.00	P4	1572.95	P26	1043.20
1342.50	P9, P22, P29, P32, P37, P41, P44, P47	1572.95	P27	1039.46
			P28	1038.59
			P29	957.95
			P30	950.45
			P31	870.09
			P32	860.53
			P33	860.45
			P34	860.45
			P35	860.45
			P36	860.45
			P37	860.45
			P38	860.45
			P39	860.45
			P40	860.45
			P41	860.45
			P42	860.45
			P43	860.45
			P44	860.45
			P45	860.45
			P46	860.45
			P47	860.45



DEFENSORIA PÚBLICA DO ESTADO DE RORAIMA  
 COMARCA ALTO ALEGRE  
 PROJETO ESTRUTURAL  
 PLANTA DE LOCAÇÃO DA FUNDAÇÃO

DATA: 08/2017 ESCALA: Indicada no Desenho ÁREA TOTAL: 227.5 m² REVISÃO: EST.1/16

REVISÕES NA PRANCHA